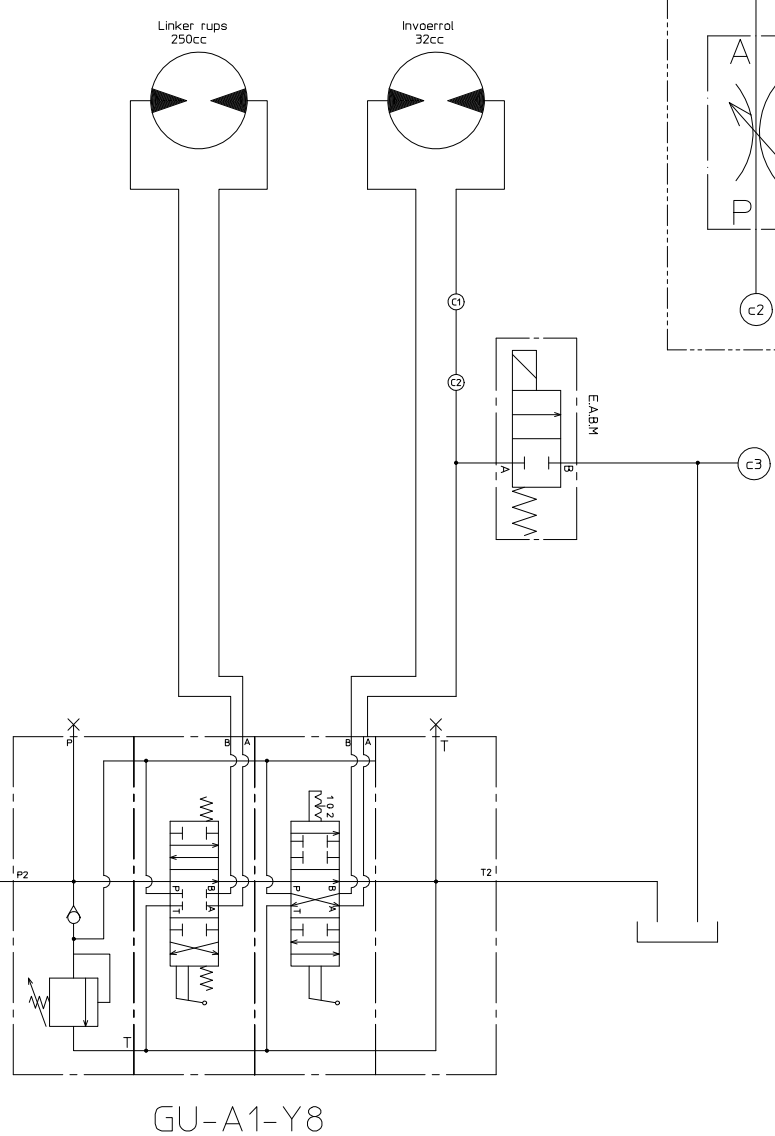
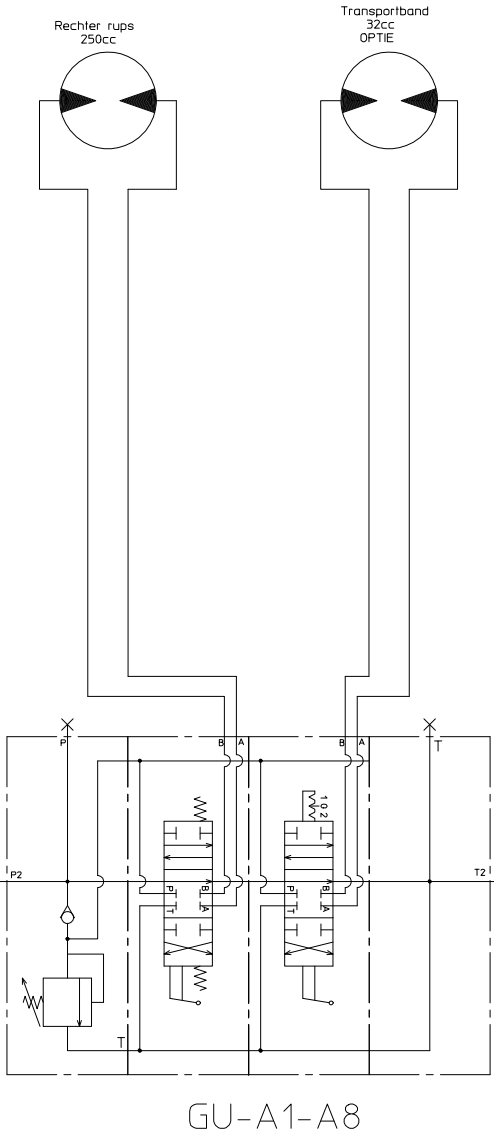
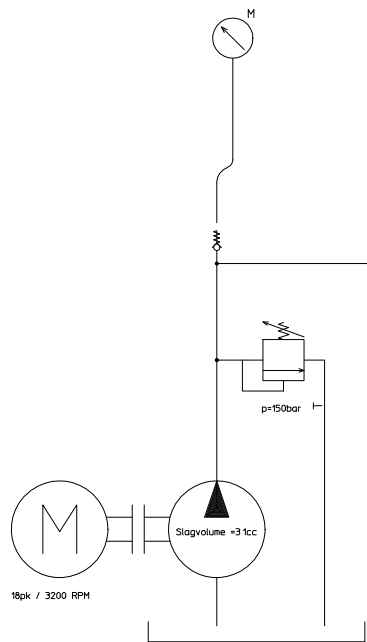


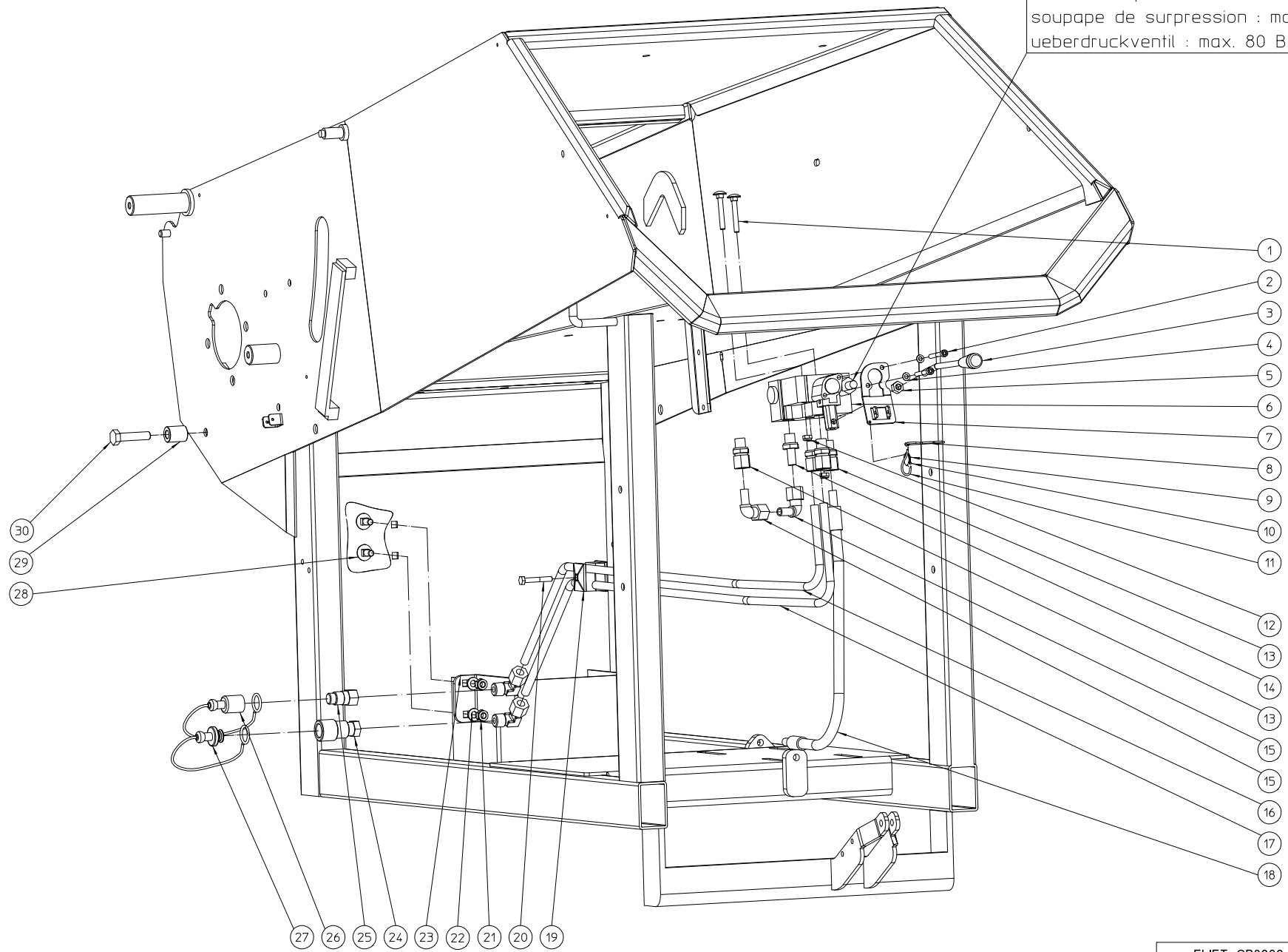
#	Order nr	article description	quantity
0	BH 900 070 020	hydraulic scheme	0
160	MMA 01 070 160	hydro kit conveyor belt	1
170	MMA 01 070 170	cross country	1
180	MMA 01 070 180	engine governor	1
220	MMA 01 070 220	conveyor belt 2m	1
240	MMA 01 070 230	conveyor belt 1m40	1



HYDRAULIC DRAW SUPER PROF 2000 CC					
NO	BH 900 070 020	REV	1	DATE	2006/11/23

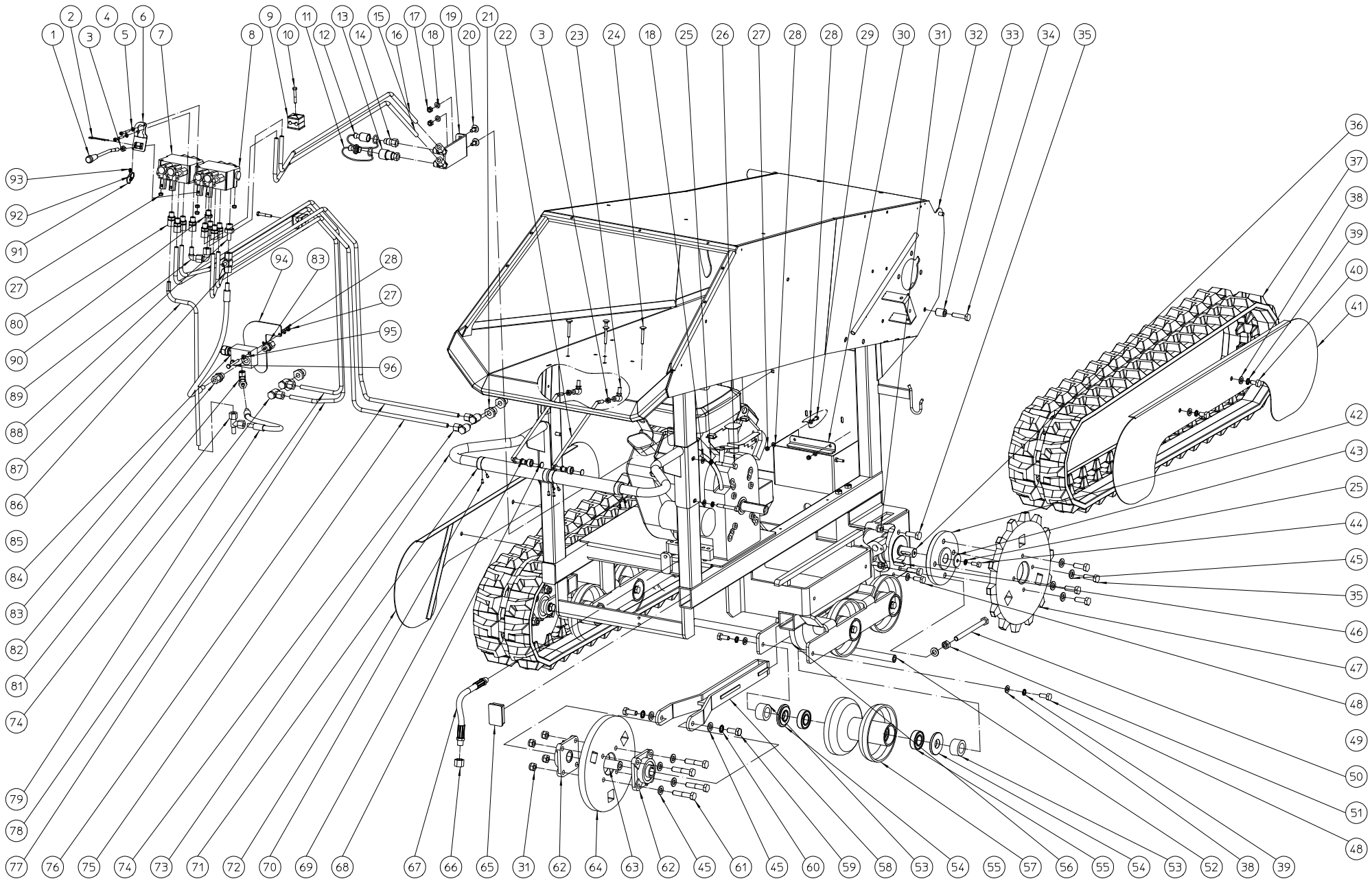
#	Order nr	article description	quantity
0	BH 900 070 020	hydraulic scheme	0

relief valve : max. 80 BAR
 overdrukklep : max. 80 BAR
 soupape de surpression : max. 80 BAR
 ueberdruckventil : max. 80 BAR



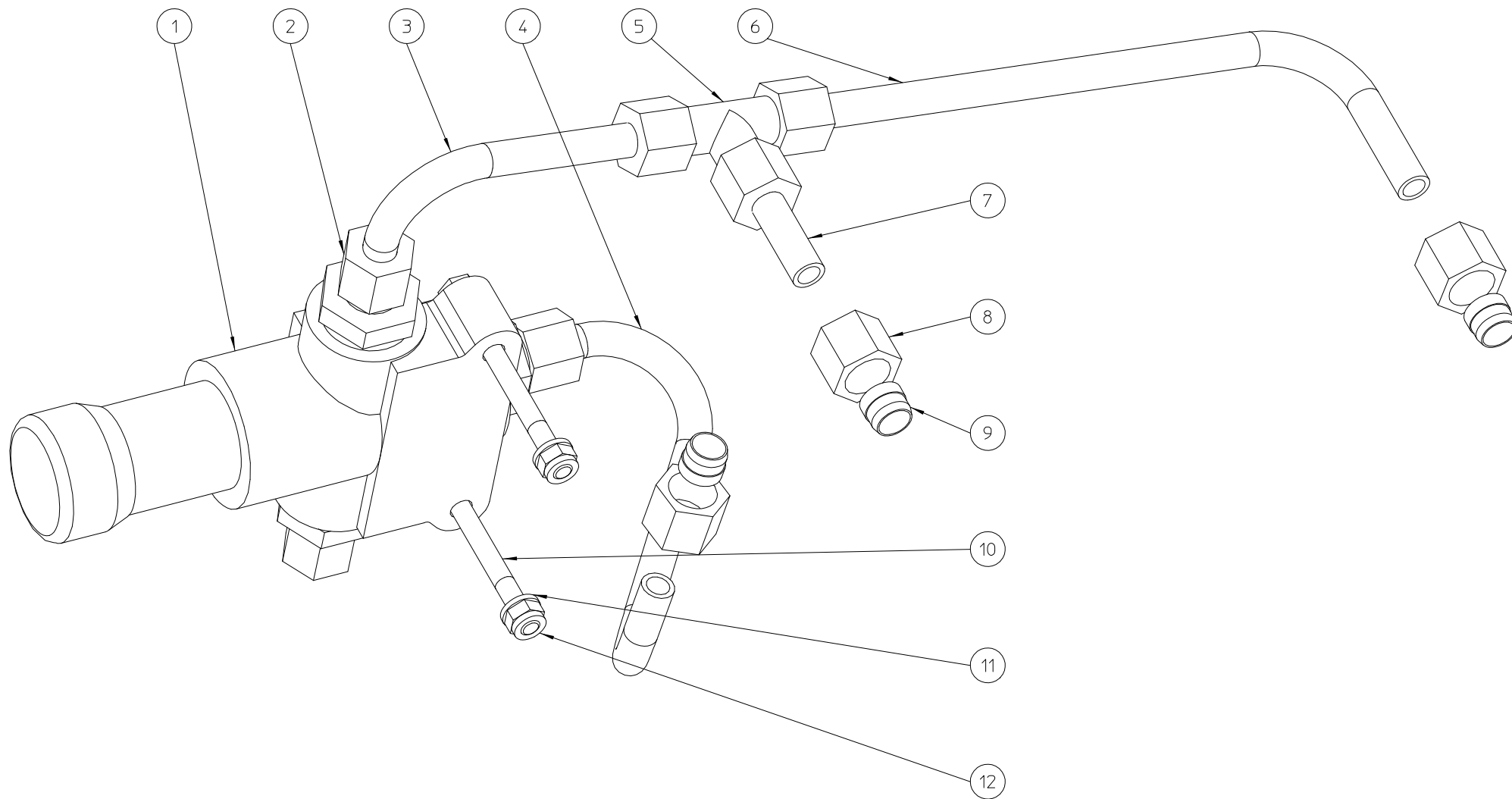
ELIET SP2000 -- CONVEYOR BELT						
NO	MMA 01 070 160	REV	1	DATE	2009/10/13	

#	Order nr	article description	quantity
1	BS 554 100 641	bolt m6x45 din 603	2
2	BS 521 100 640	screw m6x40 din 912	2
3	BH 409 002 004	control lever hydro-valve	1
4	BS 531 000 500	washer m5 din 125	2
5	BS 501 000 800	nut m8 din 934	1
6	BH 400 001 000	hydraulic valve bm 20/1 1/4" a1	1
7	MPA 01 060 720	clutching plate	1
8	BB 040 102 040	hairpin cotter 2mm din 11024	1
9	BY 516 000 020	split ring 16mm	1
10	BY 516 000 010	yoke pearl chain	2
11	BY 516 364 000	pearl chain 3,6mm 40mm	1
12	BS 502 000 600	self locking nut m6 din 985	2
13	BH 509 211 004	male stud coupling 10lx1/4"	4
14	BH 512 611 004	standpipe adaptor 10lx1/4"	1
15	BH 511 911 000	angular rotary fitting 10l	2
16	MPA 01 060 700	hydraulic pipe bottom	1
17	MPA 01 060 690	hydraulic pipe top	1
18	BH 551 040 440	flexible hydraulic hose 1/4"x445	1
19	BH 711 020 010	pipe clamp b-10mm ass.	1
20	BS 511 000 640	bolt m6x40 din 931	1
21	BS 502 000 800	self locking nut m8 din 985	2
22	BS 531 000 800	washer m8 din 125	2
23	MPA 01 060 650	support hydraulic pipe	1
24	BH 562 104 000	quick-release coupling 1/4" (female)	1
25	BH 561 104 000	quick-release coupling 1/4" (male)	1
26	BH 561 104 001	dust protection for coupling sleeve 1/4"	1
27	BH 562 104 001	dust protection for coupling sleeve 1/4"	1
28	BS 554 100 820	bolt m8x20 din 603	2
29	MPA 01 060 660	attaching part conveyor	1
30	BS 512 001 041	bolt m10x45 din 933	2



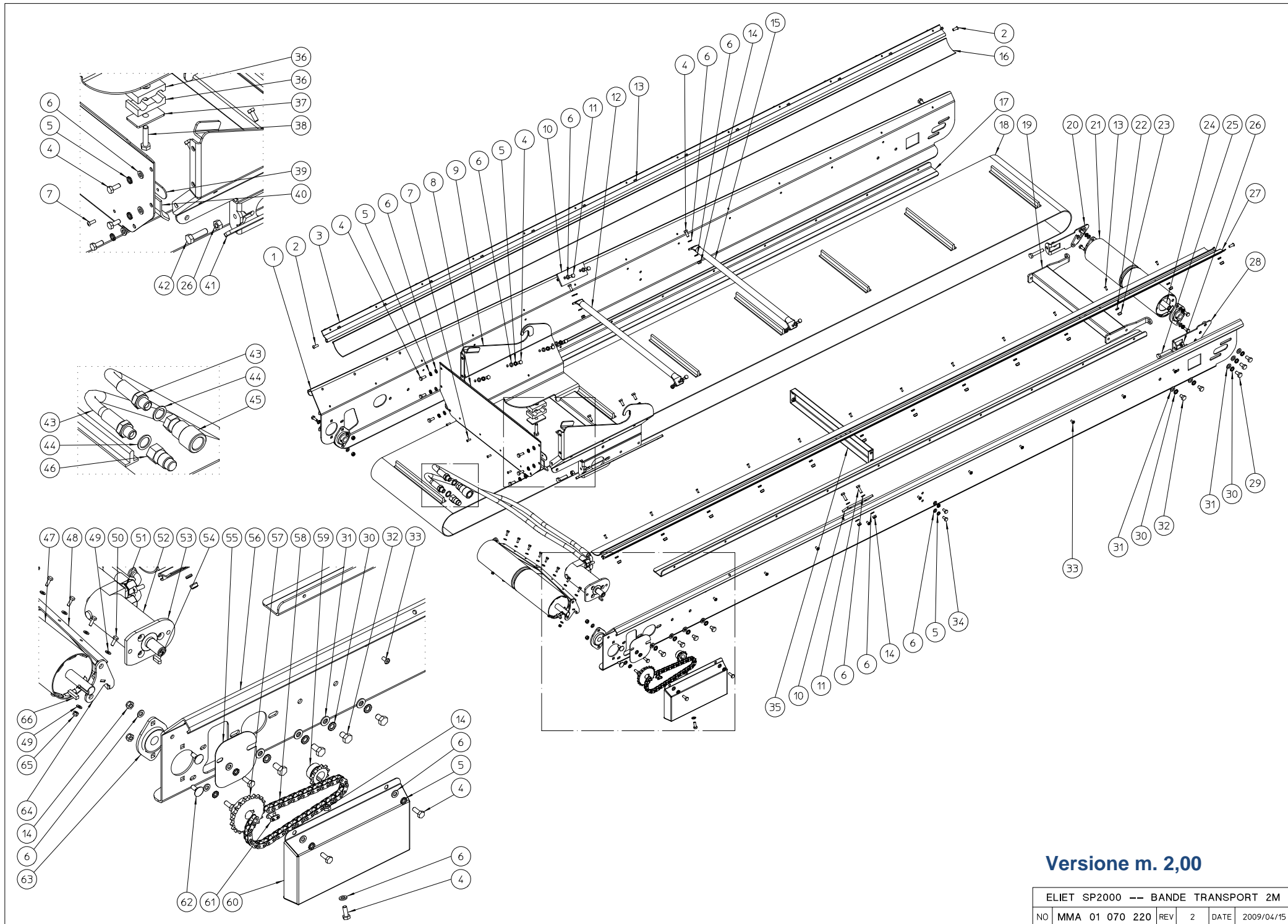
#	Order nr	article description	quantity
1	BH 409 002 004	control lever hydro-valve	1
2	BB 040 102 040	hairpin cotter 2mm din 11024	1
3	BS 501 000 800	nut m8 din 934	3
4	BS 521 100 540	screw m5x40 din 912	2
5	BS 531 000 500	washer m5 din 125	2
6	MPA 01 060 720	clutching plate	1
7	BH 400 006 000	hydraulic valve bm 20/2 1/4" a1 y8	1
8	BH 400 005 000	hydraulic valve bm 20/2 1/4" a1 a8	1
9	BH 711 020 010	pipe clamp b-10mm ass.	2
10	BS 511 000 640	bolt m6x40 din 931	2
11	BH 562 104 001	dust protection for coupling sleeve 1/4"	1
12	BH 561 104 001	dust protection for coupling sleeve 1/4"	1
13	BH 562 104 000	quick-release coupling 1/4" (female)	1
14	BH 561 104 000	quick-release coupling 1/4" (male)	1
15	MPA 01 060 690	hydraulic pipe top	1
16	MPA 01 060 700	hydraulic pipe bottom	1
17	BS 502 000 800	self locking nut m8 din 985	2
18	BS 531 000 800	washer m8 din 125	6
19	MPA 01 060 650	support hydraulic pipe	1
20	BS 554 100 820	bolt m8x20 din 603	2
21	BH 514 100 804	reduction stud (m-f) 1/2"-1/4"	4
22	MPA 01 070 380	link rod traction control	2
23	BA 230 010 800	ball joint m8	2
24	BS 554 100 641	bolt m6x45 din 603	4
25	BS 534 000 800	lock washer m8 din 6798a	6
26	BS 511 000 844	bolt m8x60 din 931	4
27	BS 502 000 600	self locking nut m6 din 985	8
28	BS 531 000 600	washer m6 din 125	6
29	BS 512 000 616	bolt m6x16 din 933	2
30	MPA 01 070 970	square battery	1
31	BS 502 001 200	self locking nut m12 din 985	12
32	MPA 01 070 850	chassis	1
33	MPA 01 060 660	attaching part conveyor	2
34	BS 512 001 041	bolt m10x45 din 933	2
35	BS 512 001 235	bolt m12x35 din 933	12
36	BH 331 425 000	hydraulic engine epm n 250cc	2
37	BW 818 072 370	rubber track	2
38	BS 531 001 000	washer m10 din 125	16
39	BS 534 001 000	lock washer m10 din 6798a	16
40	BS 512 001 020	bolt m10x20 din 933	4
41	MPA 01 070 990	protection right	1
42	BA 281 504 502	hub rear wheel Ø12,5mm	2
43	BS 532 008 356	washer m8x35x3	2
44	BS 512 000 820	bolt m8x20 din 933	2
45	BS 531 001 200	washer m12 din 125	22
46	BB 351 080 735	key 8x7x35 din 6885a	2
47	MPA 01 070 880	back wheel	2
48	BS 512 001 025	bolt m10x25 din 933	14
49	BV 101 020 200	disc springs 20x10x1 din2093a	2
50	BS 512 001 255	bolt m12x150 din 933	2
51	BS 501 001 200	nut m12 din 934	2
52	MPA 01 071 010	torque shaft	1

53	BR 111 292 510	nylon bushing (28.5/44x25)	12
54	MPA 01 071 030	washer	12
55	BL 002 505 203	bearing 6205 zz	12
56	MPA 01 071 040	axle idler	6
57	MPA 01 071 020	idler	6
58	MPA 01 071 000	tightener	2
59	BS 512 001 230	bolt m12x30 din 933	4
60	BS 534 001 200	lock washer m12 din 6798a	4
61	BS 511 001 244	bolt m12x60 din 931	8
62	BL 711 272 505	bearing ufc205	4
63	MPA 01 070 980	axle front wheel	2
64	MPA 01 070 890	front wheel	2
65	BR 021 160 400	cap 60x40	2
66	BT 174 150 600	terminal nut 3/8"	1
67	BH 551 060 320	flexible hydraulic hose 3/8"x320	1
68	BB 011 000 080	starlock 8mm	2
69	BR 112 081 300	nylon bushing with collar (8/11/16x13/2)	2
70	BB 221 104 100	pop plug alu 3.9x10 din 7337 a	8
71	BR 910 000 010	nylon bushing with collar (25/30/34x30/15)	4
72	MPA 01 070 900	protection left	1
73	MPA 01 070 870	steer cross country	1
74	BH 513 111 004	banjo 10lx1/4"	4
75	MPA 01 070 570	hydraulic pipe (forward drive left)	1
76	MPA 01 070 560	hydraulic pipe (reverse drive left)	1
77	MPA 01 070 540	hydraulic pipe (reverse drive right)	1
78	MPA 01 070 550	hydraulic pipe (forward drive right)	1
79	BH 551 040 460	flexible hydraulic hose 1/4"x460	1
80	BH 509 211 004	male stud coupling 10lx1/4"	8
81	BH 512 111 000	rotary l-fitting female 10l	1
82	BH 509 411 006	stud elbows 10lx3/8"	1
83	BH 509 211 006	male stud coupling 10lx3/8"	2
84	BH 430 120 600	relief valve 3/8"	1
85	BH 551 040 480	flexible hydraulic hose 1/4"x480	1
86	BH 563 000 100	manometer coupler 10lxm16x2	1
87	MPA 01 070 480	hydraulic pipe (pump return)	1
88	BH 512 631 006	standpipe adaptor 10sx3/8"	1
89	BH 511 911 000	angular rotary fitting 10l	2
90	BH 512 611 004	standpipe adaptor 10lx1/4"	1
91	BY 516 364 000	pearl chain 3,6mm 40mm	1
92	BY 516 000 020	split ring 16mm	1
93	BY 516 000 010	yoke pearl chain	2
94	MPA 01 070 590	guide hydraulic pipe	1
95	BS 533 000 600	lock washer m6 din 127b	2
96	BS 512 000 642	bolt m6x50 din 933	2



ELIET SP2000 -- FEED-IN GOVERNOR				
NO	MMA 01 070 180	REV	1	DATE 2009/10/13

#	Order nr	article description	quantity
1	BH 430 012 200	speed controller mtkavar	1
2	BH 509 221 022	male stud coupling 10lxm22	3
3	MPA 01 070 750	hydraulic pipe flow controller output =>c	1
4	MPA 01 070 740	hydraulic pipe flow controller input =>a	1
5	BH 510 011 000	equal tee 10l	1
6	MPA 01 070 770	hydraulic pipe flow controller output =>elec.	1
7	MPA 01 070 760	hydraulic pipe flow controller input =>dis.	1
8	BH 508 121 000	nut 10l	3
9	BH 508 821 000	cutting ring 10ls	3
10	BS 511 000 646	bolt m6x70 din 931	2
11	BS 531 000 600	washer m6 din 125	2
12	BS 502 000 600	self locking nut m6 din 985	2

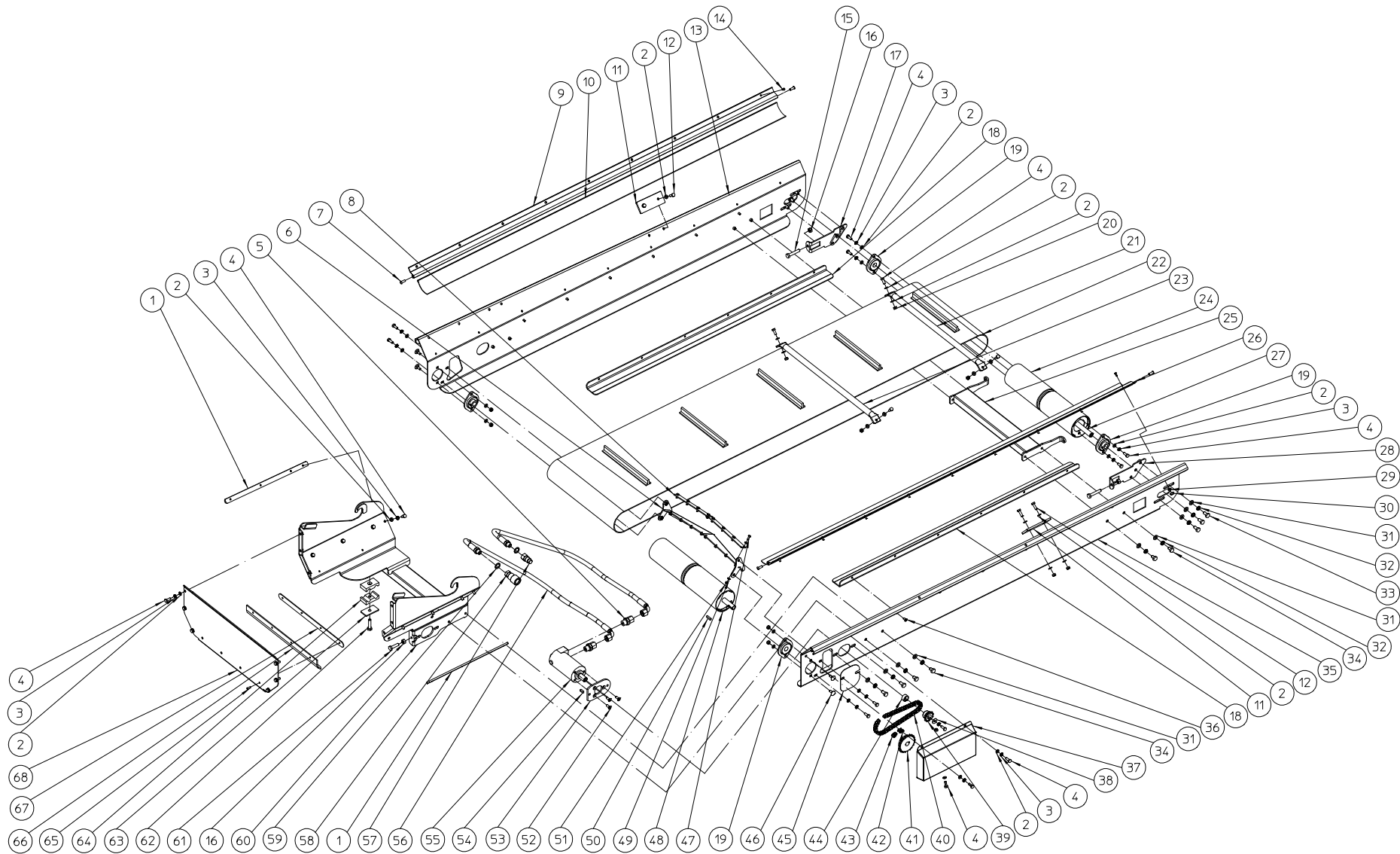


Versione m. 2,00

ELIET SP2000 -- BANDE TRANSPORT 2M						
NO	MMA 01 070 220	REV	2	DATE	2009/04/15	

#	Order nr	article description	quantity
1	MPA 01 071 390	chassis left side	1
2	BB 221 106 160	pop plug alu 6x16 din 7337 a	4
3	MPA 01 071 425	fixation seal left	1
4	BS 512 000 616	bolt m6x16 din 933	29
5	BS 534 000 600	lock washer m6 din 6798a	28
6	BS 531 000 600	washer m6 din 125	49
7	BB 221 104 120	pop plug alu 3.9x12 din 7337 a	4
8	MPA 01 071 450	rear plate	1
9	MPA 01 071 300	chassis bottom	1
10	BR 910 000 140	protection	2
11	BS 512 000 620	bolt m6x20 din 933	4
12	MPA 01 071 500	handle	1
13	BB 221 104 100	pop plug alu 3.9x10 din 7337 a	26
14	BS 502 000 600	self locking nut m6 din 985	13
15	MPA 01 071 510	handle	1
16	BY 431 306 240	deflector strip Ø5+60x2400 mm	2
17	MPA 01 071 410	guide	2
18	BY 431 135 500	conveyer SP2000 2m vers. 2008	1
19	MPA 01 071 310	chassis top	1
20	MPA 01 071 330	tightener left	1
21	MPA 01 071 370	idler roller	1
22	BR 011 800 100	clips (4/10x3)	26
23	BR 010 209 120	plastic cap type 4 orange hd-pe	26
24	MPA 01 071 480	axle roller	1
25	BS 512 000 841	bolt m8x45 din 933	2
26	BS 501 000 800	nut m8 din 934	3
27	MPA 01 071 420	fixation seal right	1
28	MPA 01 071 340	tightener right	1
29	BS 512 000 816	bolt m8x16 din 933	8
30	BS 534 000 800	lock washer m8 din 6798a	16
31	BS 531 000 800	washer m8 din 125	16
32	BS 512 000 812	bolt m8x12 din 933	8
33	BB 221 105 100	pop plug alu 4.8x10 din 7337 a	20
34	BS 512 000 612	bolt m6x12 din 933	4
35	MPA 01 071 350	reinforcement piece	1
36	BH 711 420 100	pipe clamp b-14mm	2
37	BH 710 003 020	clamp base - b	1
38	BS 512 000 835	bolt m8x35 din 933	1
39	MPA 01 071 460	mounting rubber	1
40	BR 900 001 420	rubber matting	1
41	MPA 01 071 430	fixation profile	2
42	BS 512 000 830	bolt m8x30 din 933	1
43	BH 551 041 000	flexible hydraulic hose 1/4"x1000	2
44	BH 809 004 200	seal 1/4"bsp	2
45	BH 562 104 000	quick-release coupling 1/4" (female)	1
46	BH 561 104 000	quick-release coupling 1/4" (male)	1
47	MPA 01 071 360	driven roller	1
48	BR 910 000 310	nylon scraper	1
49	BS 531 000 400	washer m4 din 125	16
50	BS 512 000 412	bolt m4x12 din 933	8
51	BH 509 211 006	male stud coupling 10lx3/8"	2
52	BH 331 203 210	hydraulic engine epmm 32cc	1

53	MPA 01 071 440	engine plate	1
54	BB 351 050 516	key 5x5x16 din 6885a	1
55	MPA 01 071 470	cover	1
56	MPA 01 071 400	chassis right side	1
57	BA 161 021 151	sprocket simplex 3/8"x7/32" 21t	1
58	BA 101 043 020	chain simplex 3/8"x7/32" 43l	1
59	BA 161 011 161	sprocket simplex 3/8"x7/32" 11t	1
60	MPA 01 071 380	chain protection	1
61	BA 151 200 000	connecting chain link simplex 3/8"x7/32"	1
62	BS 554 100 616	bolt m6x16 din 603	4
63	BL 801 101 500	bearing + flanges aspfl 202	4
64	MPA 01 071 320	scraper	1
65	BS 502 000 400	self locking nut m4 din 985	8
66	BB 341 050 520	key 5x5x20 din 6880	1



Versione m. 1,40

BANDE TRANSPORT 1.40M 2011						
NO	MMA 01 070 230	REV	1	DATE	2011/02/28	

#	Order nr	article description	quantity
1	MPA 01 071 430	fixation profile	2
2	BS 531 000 600	washer m6 din 125	45
3	BS 534 000 600	lock washer m6 din 6798a	25
4	BS 512 000 616	bolt m6x16 din 933	30
5	BH 509 211 006	male stud coupling 10lx3/8"	2
6	MPA 01 071 320	scraper	1
7	BB 221 106 160	pop plug alu 6x16 din 7337 a	4
8	BR 910 000 310	nylon scraper	1
9	MPA 01 071 640	deflector profile left	1
10	BY 431 306 150	deflector strip Ø5+60x1500 mm	2
11	BR 910 000 140	protection	2
12	BS 512 000 620	bolt m6x20 din 933	4
13	MPA 01 071 610	chassis left side	1
14	BB 221 104 100	pop plug alu 3.9x10 din 7337 a	18
15	BS 512 000 841	bolt m8x45 din 933	2
16	BS 501 000 800	nut m8 din 934	3
17	MPA 01 071 330	tightener left	1
18	MPA 01 071 620	guide left	2
19	BL 801 101 500	bearing + flanges aspfl 202	4
20	BS 502 000 600	self locking nut m6 din 985	13
21	MPA 01 071 510	handle	1
22	BY 431 135 320	conveyer SP2000 m. 1,40 vers. 2011	1
23	MPA 01 071 500	handle	1
24	MPA 01 071 370	idler roller	1
25	MPA 01 071 310	chassis top	1
26	MPA 01 071 630	deflector profile rechts	1
27	MPA 01 071 480	axle roller	1
28	MPA 01 071 340	tightener right	1
29	BR 011 800 100	clips (4/10x3)	18
30	BR 010 209 120	plastic cap type 4 orange hd-pe	18
31	BS 531 000 800	washer m8 din 125	16
32	BS 534 000 800	lock washer m8 din 6798a	16
33	BS 512 000 816	bolt m8x16 din 933	8
34	BS 512 000 812	bolt m8x12 din 933	8
35	MPA 01 071 600	chassis right side	1
36	BB 221 105 100	pop plug alu 4.8x10 din 7337 a	12
37	MPA 01 071 380	chain protection	1
38	BS 532 006 183	washer m6x18x1.5	1
39	BA 161 011 161	sprocket simplex 3/8"x7/32" 11t	1
40	BA 101 043 020	chain simplex 3/8"x7/32" 43l	1
41	BA 161 021 151	sprocket simplex 3/8"x7/32" 21t	1
42	BA 151 200 000	connecting chain link simplex 3/8"x7/32"	1
43	BA 151 400 000	connecting chain link simplex (1/2) 3/8"x7/32"	1
44	MPA 01 070 430	spacer ring	1
45	MPA 01 071 470	cover	1
46	BS 554 100 616	bolt m6x16 din 603	4
47	BS 512 000 412	bolt m4x12 din 933	8
48	MPA 01 071 360	driven roller	1
49	BS 531 000 400	washer m4 din 125	16
50	BB 341 050 520	key 5x5x20 din 6880	1
51	BS 502 000 400	self locking nut m4 din 985	8
52	BS 522 100 616	screw m6x16 din 7991	3

53	MPA 01 071 440	engine plate	1
54	BB 351 050 516	key 5x5x16 din 6885a	1
55	BH 331 203 210	hydraulic engine epmm 32cc	1
56	BH 551 041 000	flexible hydraulic hose 1/4"x1000	2
57	BH 561 104 000	quick-release coupling 1/4" (male)	1
58	BH 562 104 000	quick-release coupling 1/4" (female)	1
59	BH 809 004 200	seal 1/4"bsp	2
60	MPA 01 071 300	chassis bottom	1
61	BS 512 000 830	bolt m8x30 din 933	1
62	BS 512 000 835	bolt m8x35 din 933	1
63	BH 710 003 020	clamp base - b	1
64	BH 711 420 100	pipe clamp b-14mm	2
65	BB 221 104 120	pop plug alu 3.9x12 din 7337 a	4
66	BR 900 001 420	rubber matting	1
67	MPA 01 071 460	mounting rubber	1
68	MPA 01 071 450	rear plate	1